

SuSix[®] Flow fitting PP

General

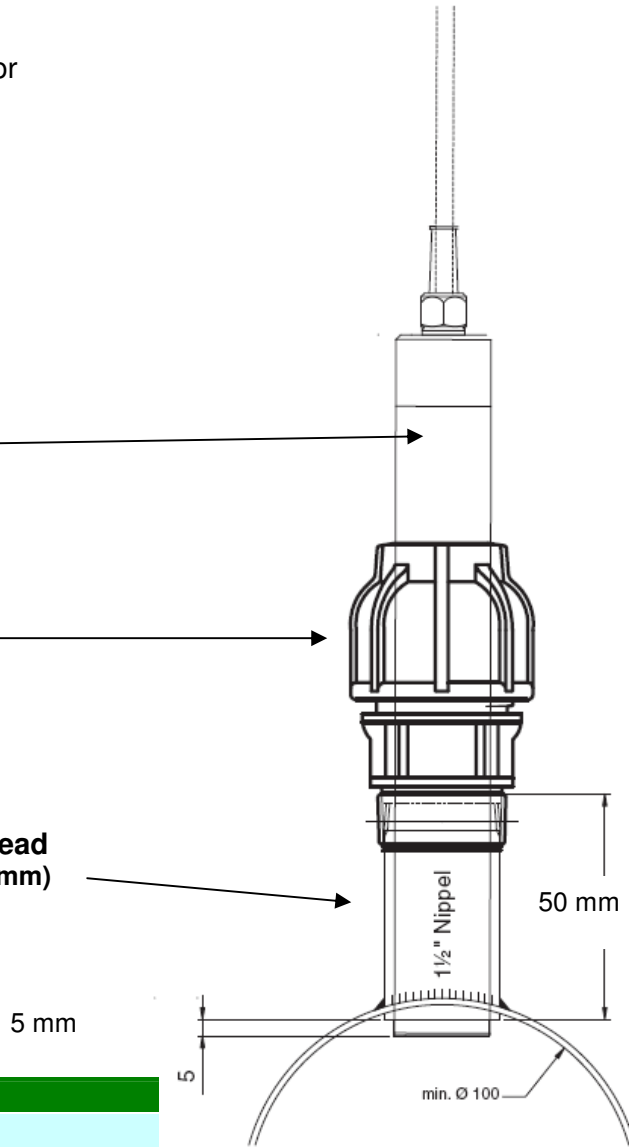
In-line PP clamping fitting for SuSix sensor

5.11

MJK 206310-206312
SuSix sensor

MJK 155220
SuSix flow fitting PP
d40*1½" ISO Inner thread

MJK 206221
DN 40 welding stud, 1½" ISO Outer thread
(Min. inner diam. for welding stud: >=40,5 mm)



Specifications 155220	
Materials	1 Lock ring PP copolymer
	2 House PP copolymer
	3 O-ring NBR
	4 Clamp ring POM
	5 Compression ring PP

